

FIG 1A

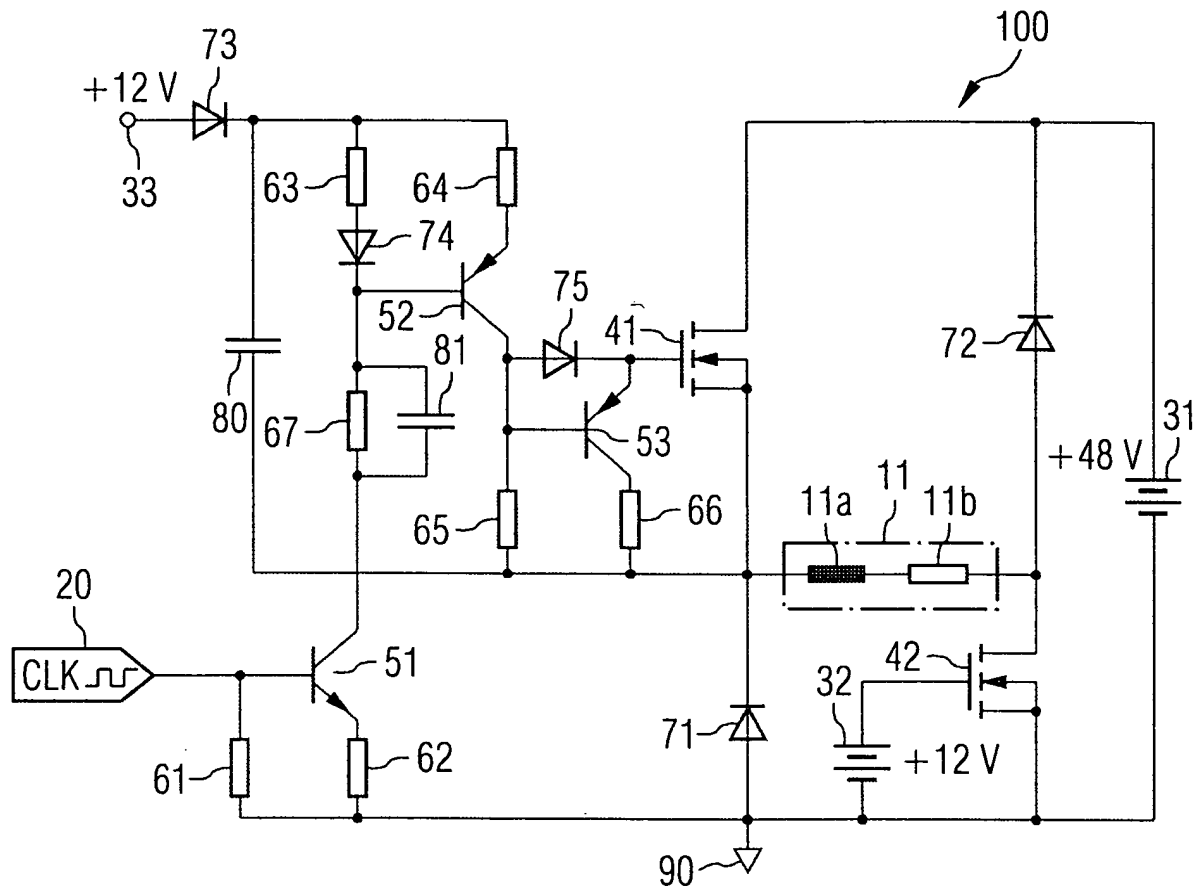


FIG 1B

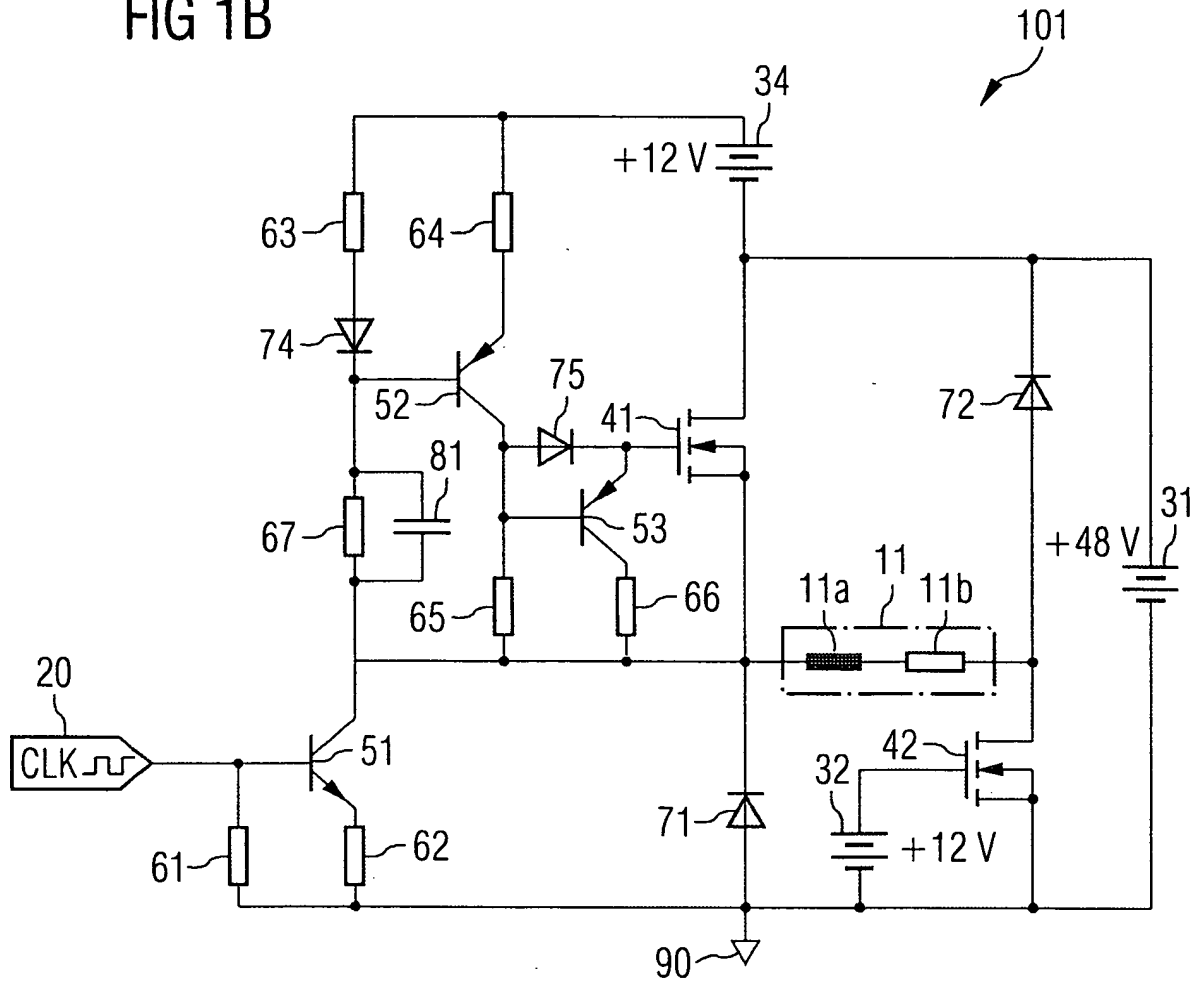


FIG 2 Prior Art

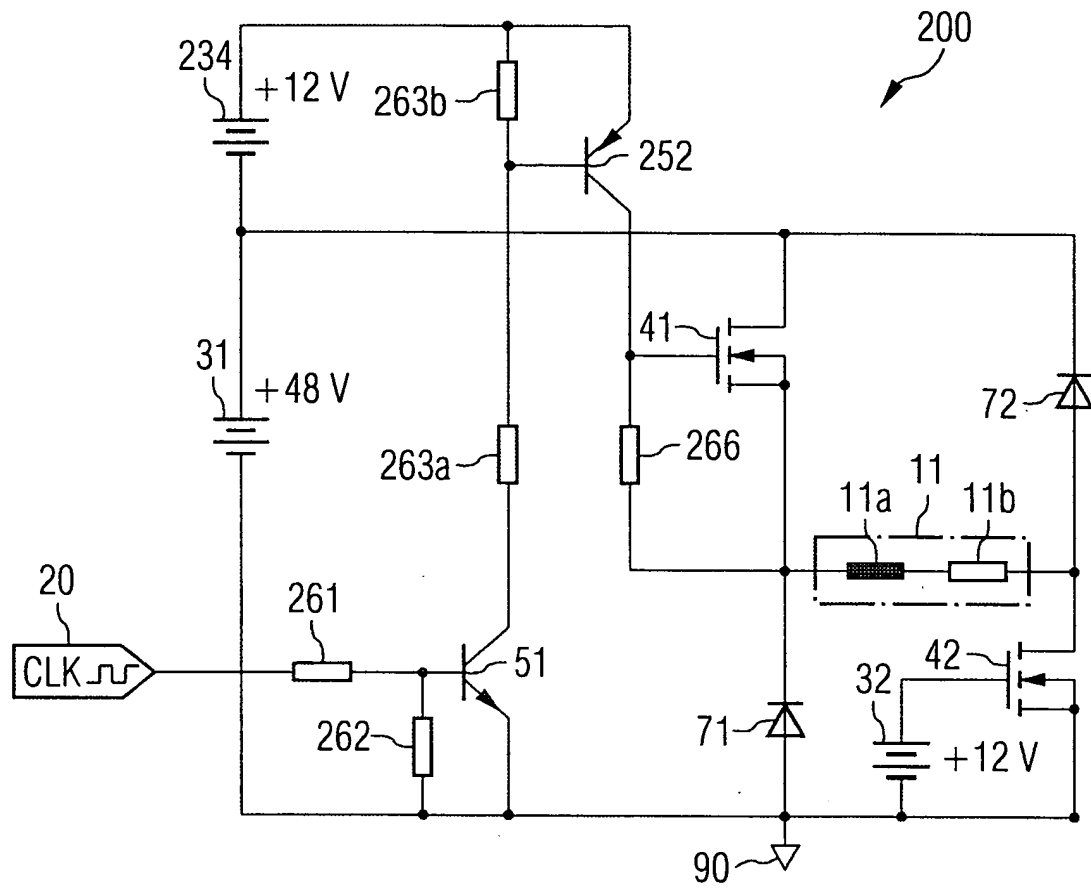


FIG 3 Prior Art

